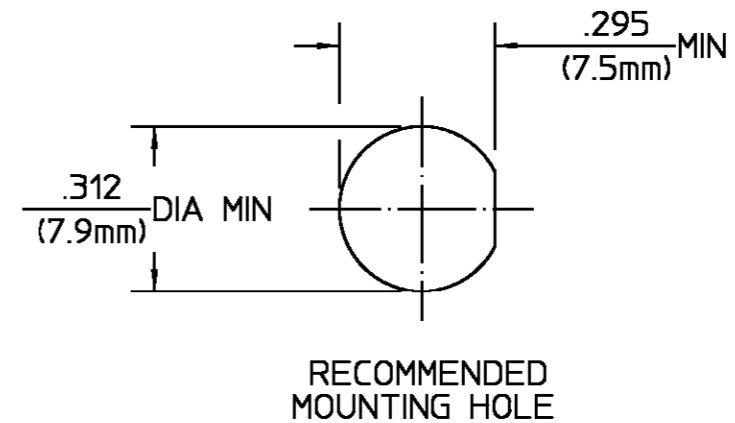
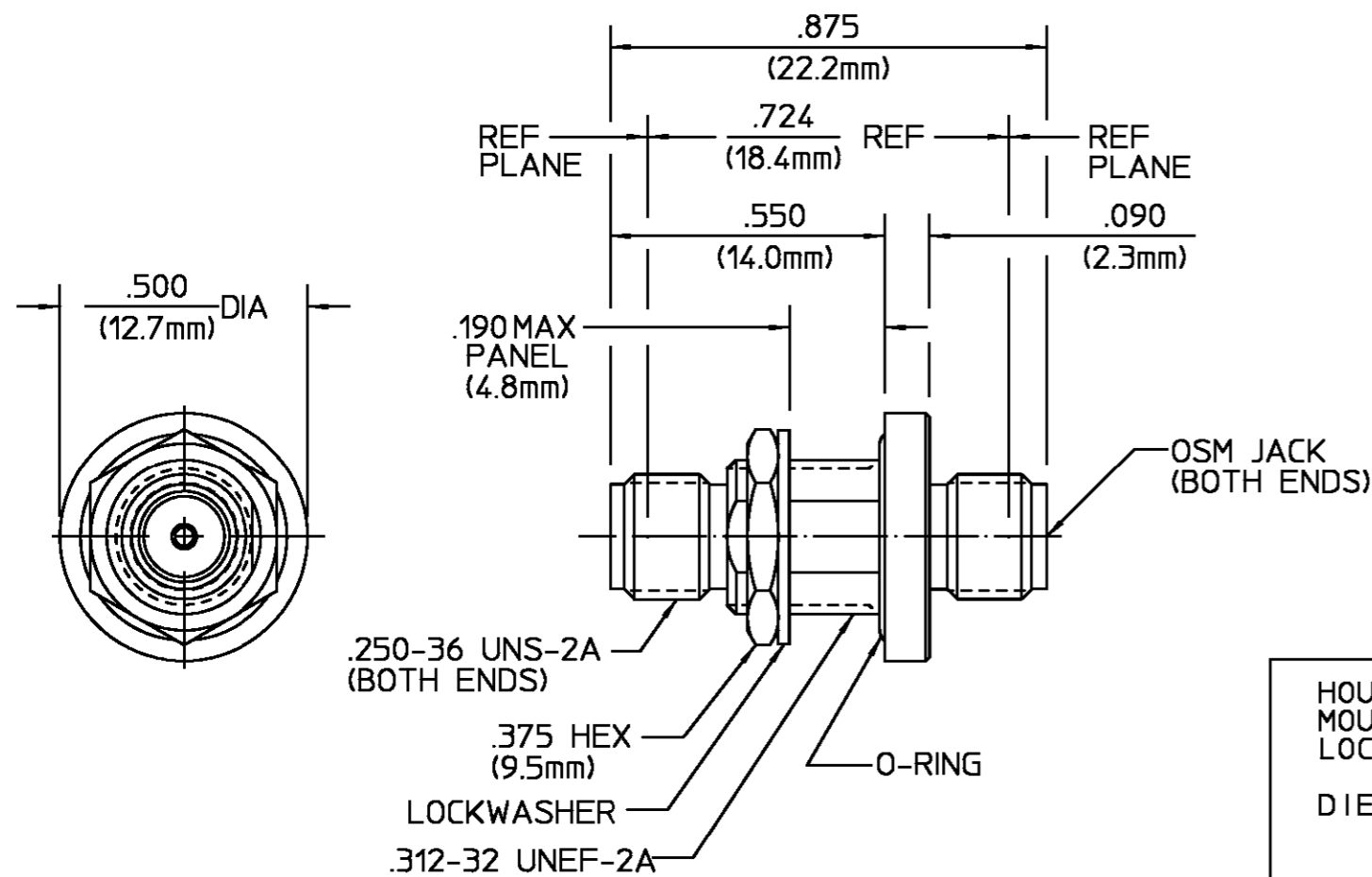


REVISIONS			
REV	DESCRIPTION	DATE	APPROVED
01 ₀	RELEASED	12/2/91	<i>RA</i>
01 ₁	REVISED PER ECN 95-0219	5/18/95	<i>M.A.</i>



HOUSING MOUNTING NUT LOCKWASHER	STAINLESS STEEL PER ASTM-A484 AND ASTM-A582, TYPE 303	PASSIVATE PER QQ-P-35
DIELECTRIC	PTFE FLUOROCARBON PER ASTM-D-1457	N/A
CENTER CONTACT	BERYLLIUM COPPER PER ASTM B 196, ALLOY C17300, CONDITION H	GOLD PLATE PER MIL-G-45204
CONTACT EXT.	IRON-NICKEL ALLOY PER ASTM-F-30	N/A
O-RING	EPM PER ASTM-D2000-70	N/A
HERMETIC SEAL	GLASS BEAD	N/A

ELECTRICAL	MECHANICAL	ENVIRONMENTAL
Nominal Impedance (Ohms) 50	Interface Dimensions MIL-STD-348A, Fig. 310.2	Temperature Rating -65°C to +165°C
Frequency Range (GHz) DC to 18.0	Recommended Mating Torque 7 to 10 In-Lbs	Vibration MIL-STD-202, Method 204, Condition D
Volt Rating (VRMS MAX) @ Sea Level 335	Mating Characteristics:	Shock MIL-STD-202, Method 213, Condition I
VSWR 1.10 + .010 f(GHz)	Insertion (MAX Lbs) 3.0	Thermal Shock MIL-STD-202, Method 107, Condition C
Insertion Loss (dB MAX) .15√f(GHz)	Withdrawal (MIN Oz) 1.0	Moisture Resistance MIL-STD-202, Method 106
RF Leakage (dB MIN) -90	Force to Engage and Disengage (In-Lbs MAX) 2.0	Corrosion - MIL-STD-202, Method 101, Condition B, 5% salt spray
Corona, 70,000 Ft (VRMS MIN) 250	Center Contact Captivation Axial (Lbs) 6.0	
Dielectric Withstanding Voltage (VRMS MIN) @ Sea Level 1000	Radial (In-Oz) N/A	
Contact Resistance (Milliohms MAX) Center Contact 12.0	Seal:	
Outer Contact 4.0	Hermetic: 1 x 10 ⁻⁷ cc/sec	
RF High Potential @ Sea Level (VRMS MIN @ 5 MHz) 670	Weatherproof: 30 psi MAX	
I.R.(Megohms MIN) 5000	Mounting Seal	
	Weight (Grams)	

COMPONENT	MATERIAL	FINISH
UNLESS OTHERWISE SPECIFIED DIMENSIONS ARE IN INCHES TOLERANCE ON		
FRAC.	DEC.	ANGLES
± 1/64	± .005	± 1°
DRAWN BY: <i>M. Downs</i> DATE: 10-31-91		AMP Incorporated 140 Fourth Avenue Waltham, MA 02451-7599
CHECKED BY: <i>R. M. M. M.</i> DATE: 11/15/91		
APP'D BY: <i>RA</i> DATE: 12/2/91		
TITLE OSM BULKHEAD FEEDTHRU JACK TO JACK ADAPTER HERMETICALLY SEALED		
NO. AP. N/A	USE ASSY PROCEDURE	
SIZE B	CODE IDENT NO. 26805	REV 01 ₁
SCALE 3 : 1	2084-1100-02	SHEET 1 OF 1